

# Basler IP Camera Accessories

Aigis HS9480 Housing



- Very small size
- PoE housing
- Indoor or outdoor installation
- IP65 rated protection

## Specifications

### Aigis HS9480 Housing

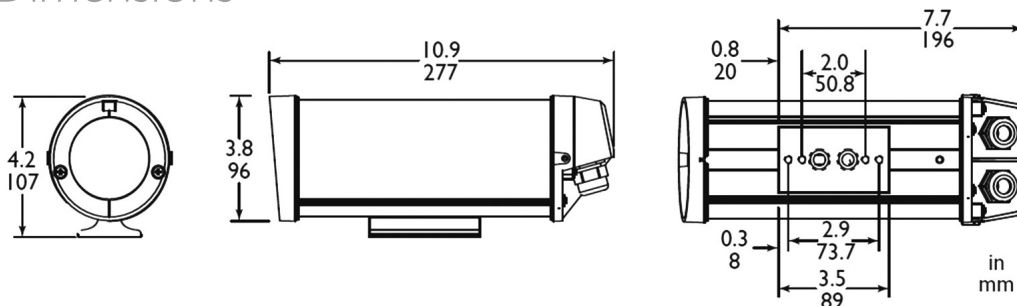


	Aigis HS9480
Temperature Range	-10° to 45°C (14° to 113°F)
Power	PoE
Weight	~ 1.4 kg (3 lb)
Dimensions	See drawings
Supported Cameras	BIP2-640c, BIP2-640c-dn, BIP2-1000c, BIP2-1000c-dn, BIP2-1300c, BIP2-1300c-dn, BIP2-1600c, BIP2-1600c-dn, BIP2-1280c, BIP2-1280c-dn, BIP2-1920c, BIP2-1920c-dn, BIP2-2500c, BIP2-2500c-dn
Mounts	Wall mount, pole mount
Protection Rating	IP65
Approvals	CE, UL, cUL
Accessories Included	Sunshield, mount
Order Numbers	2000030960 (with wall mount) 2000030765 (with pole mount)

Specifications are subject to change without prior notice

The HS9480 indoor/outdoor housing offers a smooth, sleek look that complements any environment. For quick installation or service, simply remove the two captive screws and slide off the cover to fully expose the camera and lens. This allows access to all camera and lens controls when the camera is in its mounted position. PoE cabling can be routed through watertight fittings in the bottom rear of the housing or can be routed through the mounting base. No heater or fan is needed inside the housing to maintain the camera within the specified temperature range!

## Dimensions



[www.basler-ipcam.com](http://www.basler-ipcam.com)

**Germany, Headquarters**  
Phone +49 4102 463 500  
Fax +49 4102 463 599  
[bc.sales.europe@baslerweb.com](mailto:bc.sales.europe@baslerweb.com)

**USA**  
Phone +1 610 280 0171  
Fax +1 610 280 7608  
[bc.sales.usa@baslerweb.com](mailto:bc.sales.usa@baslerweb.com)

**Singapore**  
Phone +65 6425 0472  
Fax +65 6425 0473  
[ip.sales.asia@baslerweb.com](mailto:ip.sales.asia@baslerweb.com)

**Japan**  
Phone +81 45 227 6210  
Fax +81 45 227 6220  
[ip.sales.asia@baslerweb.com](mailto:ip.sales.asia@baslerweb.com)

**Korea**  
Phone +82 707 1363 114  
Fax +82 707 0162 705  
[ip.sales.asia@baslerweb.com](mailto:ip.sales.asia@baslerweb.com)

**Taiwan**  
Phone +886 3 558 3955  
Fax +886 3 558 3956  
[ip.sales.asia@baslerweb.com](mailto:ip.sales.asia@baslerweb.com)

**BASLER**  
VISION TECHNOLOGIES

*click. see. smile!*